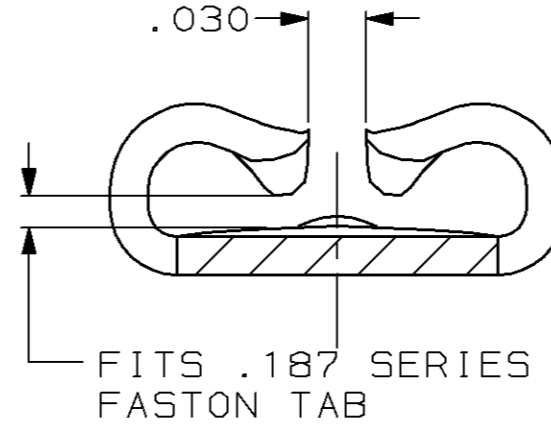
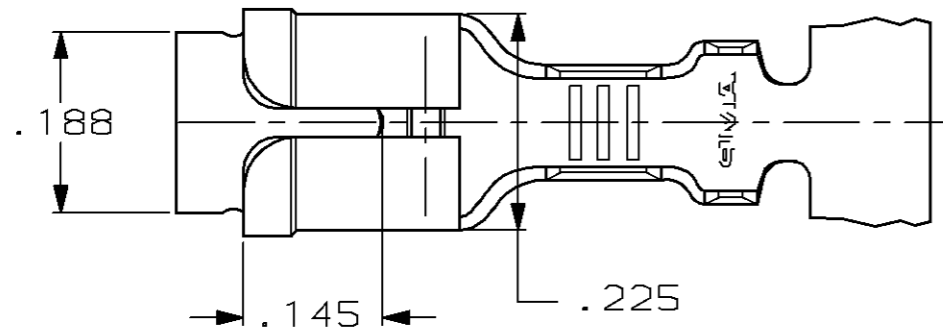


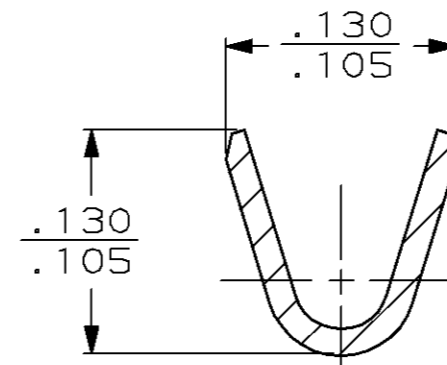
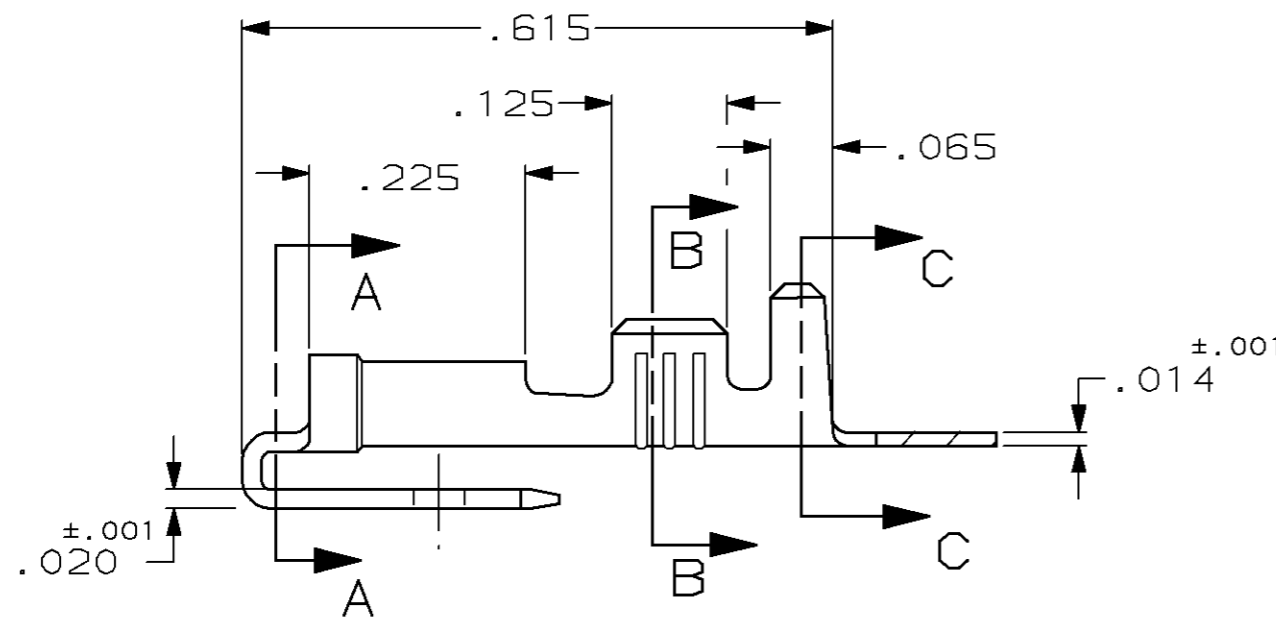
THIS DRAWING IS UNPUBLISHED. RELEASED FOR PUBLICATION, 19 .  
 © COPYRIGHT 19 BY AMP INCORPORATED. ALL INTERNATIONAL RIGHTS RESERVED.

LOC	DIST	P	F	ZONE	LTR	REVISIONS	DATE	APPD
AF	50				C	DESCRIPTION		
						REDRAWN PER AF-7614	9/6/91	JR/CM

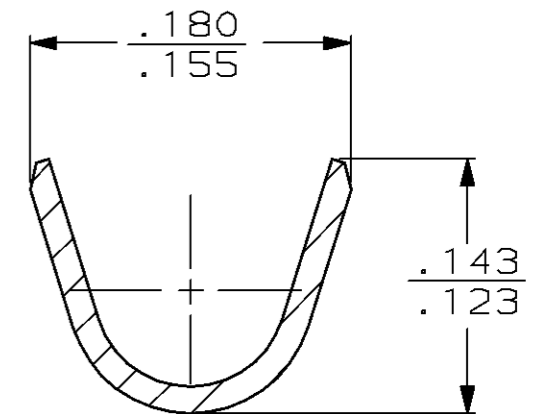
1 CONTINUOUS STRIP ON REELS.



SECTION A-A  
SCALE 10:1



SECTION B-B  
SCALE 10:1



SECTION C-C  
SCALE 10:1

.060-.110 DIA	20-16 AWG	.020	62139-1
INSULATION RANGE	WIRE SIZE	MATING TAB THK ±.001	PART NO

DO NOT SCALE PRINT. UNLESS SPECIFIED DIMENSIONS ARE IN INCHES. TOLERANCES ON: 2 PLC DEC ± - 3 PLC DEC ± .015 ANGLES ± -	DR 9/6/91 JR RUTH	<b>AMP</b> AMP Incorporated Harrisburg, PA 17105-3608		
	CHK 9/6/91 MS FEHER			
	APPD 9/6/91 C MEYERS	NAME RECEPTACLE & TAB, FASTON, PIGGYBACK, .187 SERIES		
	APPD 9/6/91 D REINER			
MATERIAL #4H PREMILLED BRASS	PRODUCT SPEC -	SIZE B	CAGE CODE 00779	DRAWING NO 62139
FINISH TIN	APPLICATION SPEC -	SCALE 5:1	WEIGHT -	SHEET 1 OF 1